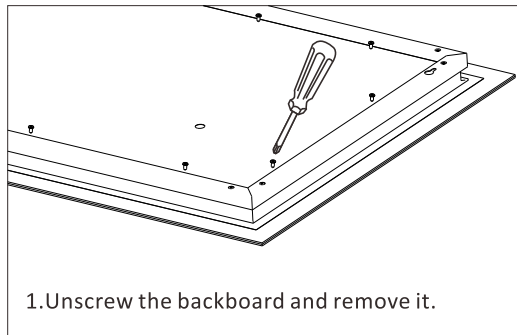


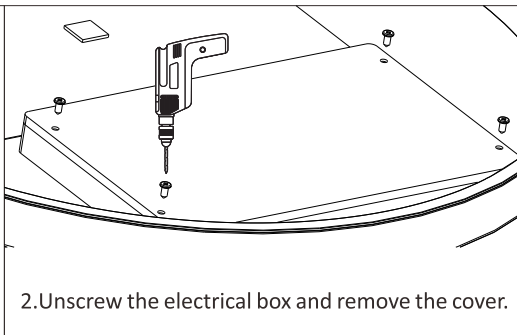
LED strip and LED driver removal instruction manual

TURN OFF ELECTRCITY SUPPLY BEFORE WORK IS CARRIED OUT

Open the backboard or electrical box firstly:

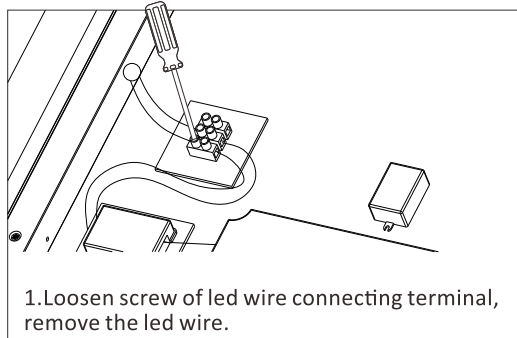


1. Unscrew the backboard and remove it.

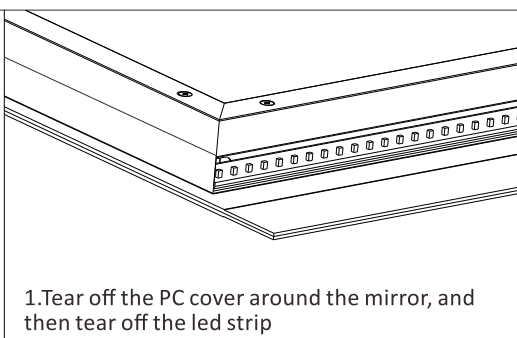


2. Unscrew the electrical box and remove the cover.

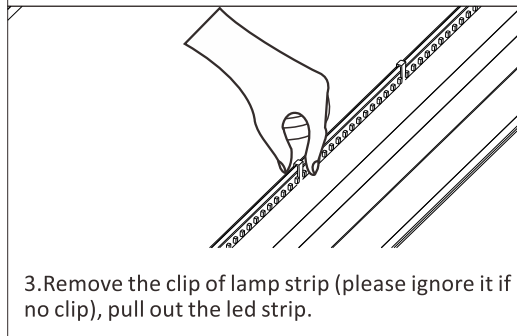
LED strip removal step:



1. Loosen screw of led wire connecting terminal, remove the led wire.

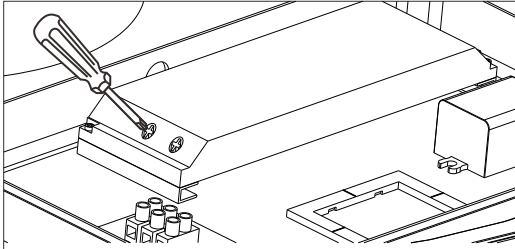


1. Tear off the PC cover around the mirror, and then tear off the led strip

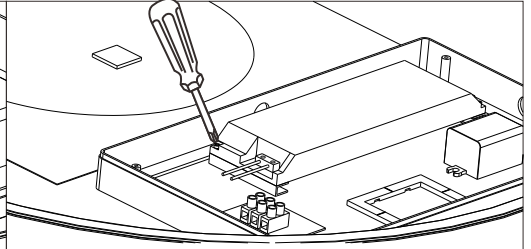


3. Remove the clip of lamp strip (please ignore it if no clip), pull out the led strip.

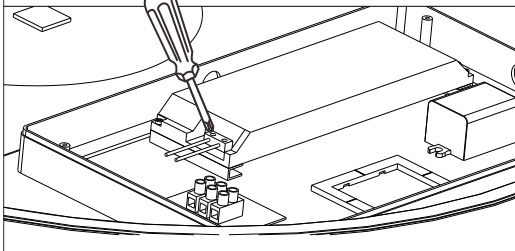
LED driver removal step:



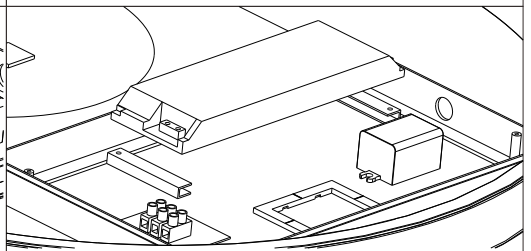
1. Unscrew both ends of the led driver cover.



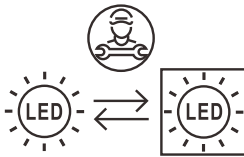
2. Remove the led driver cover, loosen screw of both led driver terminals.



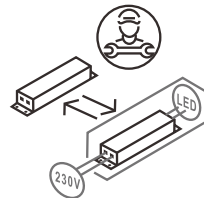
3. Remove the wires at both ends of the led driver, Unscrew the led driver base.



4. Remove the led driver.



Replaceable (LED only)
light source by a professional



Replaceable control gear
by a professional

This product contains a light source of energy efficiency class 'F'

The pictograms are available in .jpg and eps format through the following link:

<https://www.lightingurope.org/guidelines>.